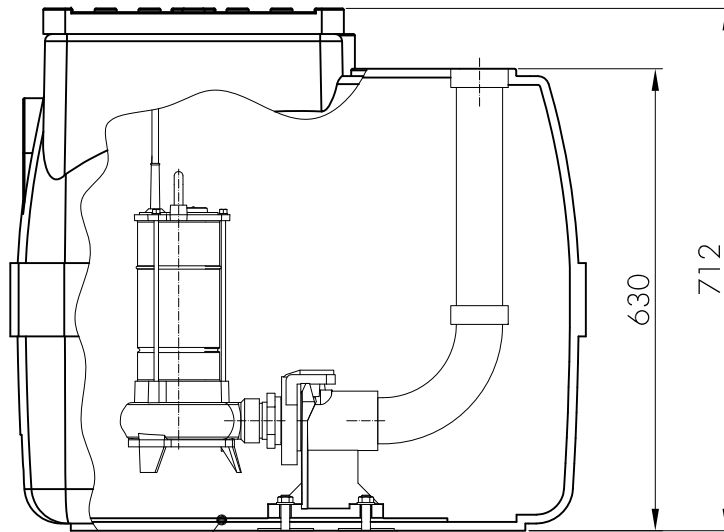
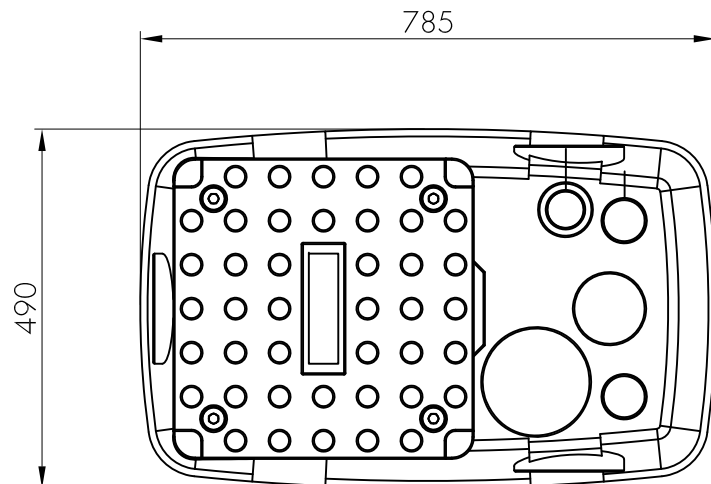


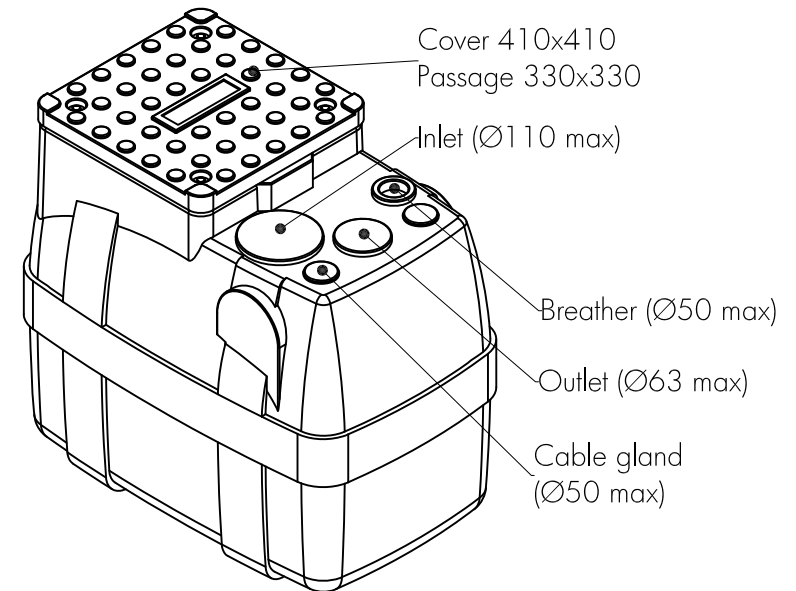
Polyethylene tank for lifting station  
Model P200H



Stainless steel plate



# HYDROPOMPE



*POLYETHYLENE TANK FOR LIFTING STATION MODEL P200H  
WITH COUPLING SYSTEM.*

Rotary moulded polyethylene tank with a capacity of 200 litres, equipped with cover, EPDM gasket between cover and tank, bolts and nuts in stainless steel AISI 304.

Configured for the installation of one pump, includes follows accessories:

- Inlet gasket Ø110
- Breather gasket Ø50
- Outlet gasket (2")
- 2 cable gland (one with cover)
- Stainless steel bottom plate
- Galvanized guide rail ¾" welded on coupling system
- Outlet pipe 2"
- Coupling system with pump coupling bracket and stainless steel bolts