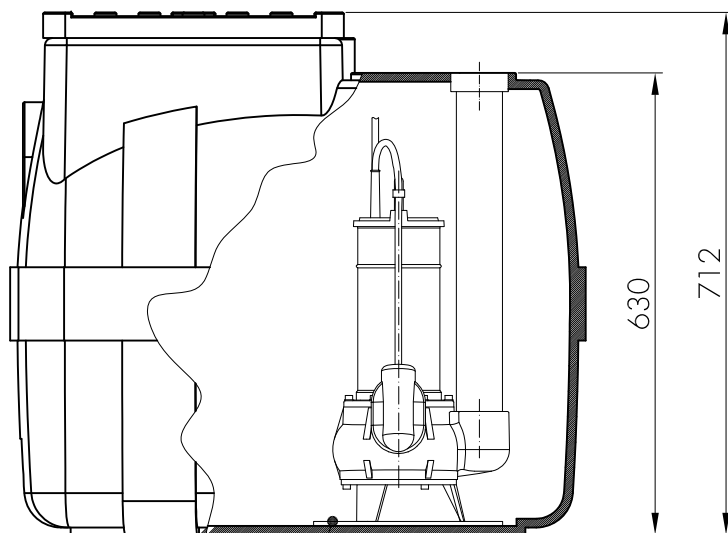
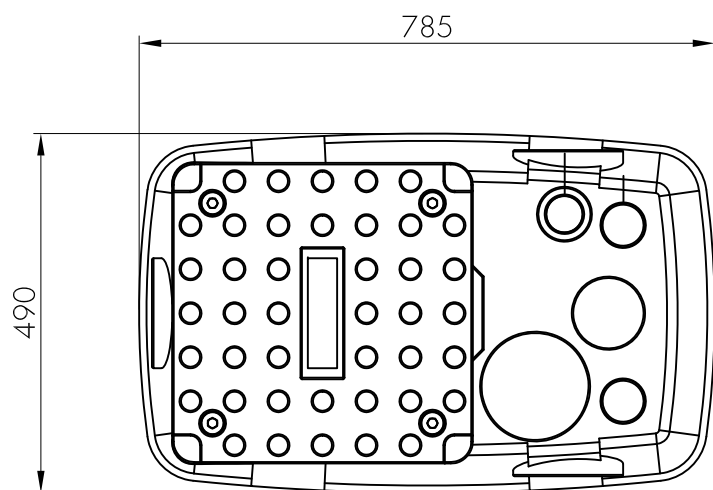


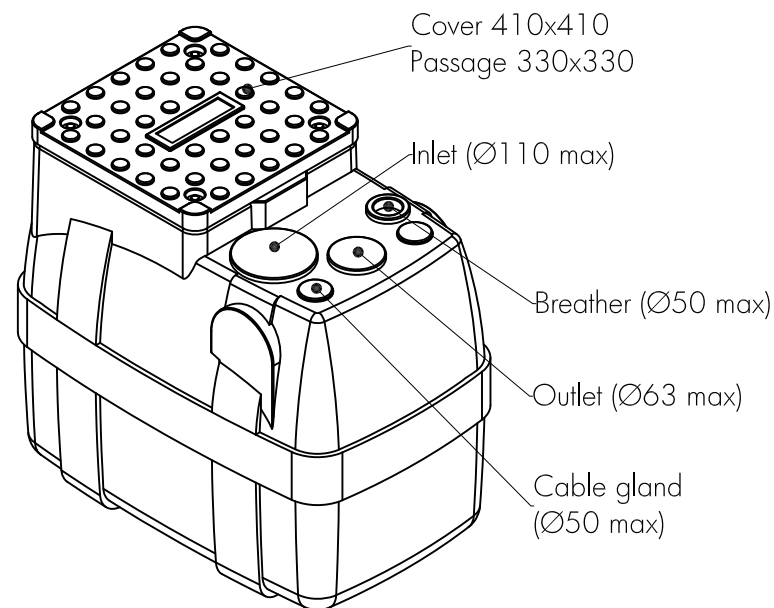
Polyethylene tank for lifting station
Model P200V



Steel plate



HYDROPOMPE



*POLYETHYLENE TANK FOR LIFTING STATION MODEL P200V
WITH STEEL PLATE FOR POSITIONING ONE PUMP.*

Rotary moulded polyethylene tank with a capacity of 200 litres, equipped with cover, EPDM gasket between cover and tank, bolts and nuts in stainless steel AISI 304.

Configured for the installation of one pump, includes follows accessories:

- Inlet gasket Ø110
- Breather gasket Ø50
- Outlet bellows gasket 1"¼ - 1"½ - 2"
- 2 cable gland (one with cover)
- Galvanized steel plate for positioning one pump on the bottoms of tank

Accessories on request:

- Outlet pipe kit with three pieces connection 1"½ or 2"